

# RISH DPM 196 A / V



## Description

**RISH DPM 196 A/V:**

196A	1PH. Current measurement (AC)
196V	1PH. Voltage measurement (AC)

8 ranges for power supply are available.

## Features:

- Available in Size 96mm x 96mm
- 1PH. AC Current ranges and voltage ranges
- On site Programmable CT/PT ratio.
- 3 ½ digit ultra bright Display.
- User defined caption
- Auxillary Power Supply :
  - DC – 5 V (+ 10 % . -10 %)
  - 12 V (+ 10 % . -10 %)
  - 24 V (21...30V)
  - 48 V (+ 10 % . -10 %)
  - 110 V (+ 10 % . -15 %)
  - 220 V (+ 10 % . -10 %)
  - AC – 110 V (+ 10% / -15%)
  - 230 V (+ 10% / -15%)

Highly adaptable DPMs suitable for a wide range of measuring applications.

Versions available for 1PH. AC Current and AC voltage inputs.

The chosen input range is user adjustable, from 5% to 100% of the full-scale value, for simple adaptation of the digital readout to the input value.

## Applications

The digital panel meters **RISH DPM 196 A/V** have been designed for industrial applications, which frequently require precise and on - site adjustment of the display range.

It can be used in industrial automation and for laboratory uses.

## Applicable Regulations and Standards

Protection Class Front	IP 20 to IEC EN 60 529 IP 50
Device safety	IEC EN 61 010
EMC immunity	IEC/ EN 61 000-4-1 to 4
EMC radiated interference	IEC/ EN 61326 Class B



Rishabh Instruments

**RISHABH**  
INSTRUMENTS  
Measure, Control & Record with a Difference

RISHABH INSTRUMENTS PVT.LTD.  
F-31, MIDC, Satpur, Nashik-422 007, India.  
Tel.: +91 253 2202160, 2202202 Fax : +91 253 2351064  
E-mail : India :- marketing@rishabh.co.in  
International :- exp.marketing@rishabh.co.in  
www.rishabh.co.in

# RISH DPM 196 A / V

## Specifications :

<b>Display:</b>	Display range	: 1999
	Decimal point position	: Selectable by short links at the front side of Display.
	Digit height	: 14 mm / 7- segment digits.
	Overload indication	: Last 3 digits blank.

## Measuring ranges:

Model	196A
Current Ranges Available (Voltage drop < 600 mV )	0...1A [45 ..... 65 Hz] or 0...1A [400 Hz] or 0...5A [45 ..... 65 Hz] or 0...5A [400 Hz]
Model	196V
Voltage Ranges Available (Input Current < 600 A)	0...500 V L-L [45 ..... 65 Hz] or 0...500 V L-L [400 Hz].

## Accuracy :

Versions 196 A/V:	Measuring Accuracy Current (Voltage drop < 600 mV)	< 0.5% + 1 digit.
	Measuring Accuracy Voltage (Input Current < 600 $\mu$ A)	< 0.5% + 1 digit.
	Temperature coefficient	100 ppm/ $^{\circ}$ C, plus.
	Zero point drift	200 ppm/ $^{\circ}$ C.
	Range adjustment span from	From 5% to 100% of range.

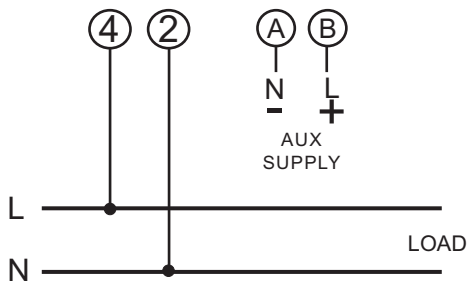


# RISH DPM 196 A / V

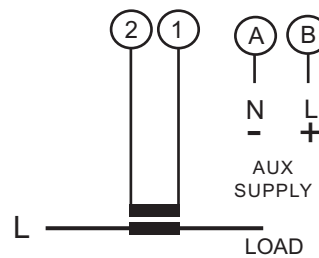
<b>Power supply</b>	Direct voltage DC	5 V (+/- 10 %) 12 V (+/- 10 %) 24V (21...30V) 48 V (+/- 10 %) 110 V (+ 10 % . -15 %) 220 V (+ 10 % . -10 %)	max. 5.5 W (isolated) max. 5.5 W (isolated) max 5.5 W (isolated) max. 5.5 W (isolated) max. 5.5 W (isolated) max. 5.5 W (isolated)
	For DC voltage version isolation is 1 KV, for AC voltage version isolation is 2 KV		
	Alternating voltage AC	: 110 V AC (+ 10% / -15%) 230 V AC (+ 10% / -15%)	5.5W approx. (isolated). 5.5W approx. (isolated).
	Frequency	: 47 – 60 Hz.	
<b>Ambient conditions</b>	Operating temperature	: 0 ... 55 °C.	
	Storage temperature	: -25 ... 70 °C.	
<b>Dimensions and Weights</b>	Bezel size	: 96 mm x 96 mm DIN 43 700	
	Panel cut-out	: 92 <sup>+0.8</sup> mm x 92 <sup>+0.8</sup> mm	
	Overall depth	: 55 mm.	
	Weight	: 400 gm. Approx.	
<b>Sundry</b>	Connections	: Plug-in screw terminal blocks.	

## Connections Diagram :

CONNECTION FOR RISH DPM 196V



CONNECTION FOR RISH DPM 196A

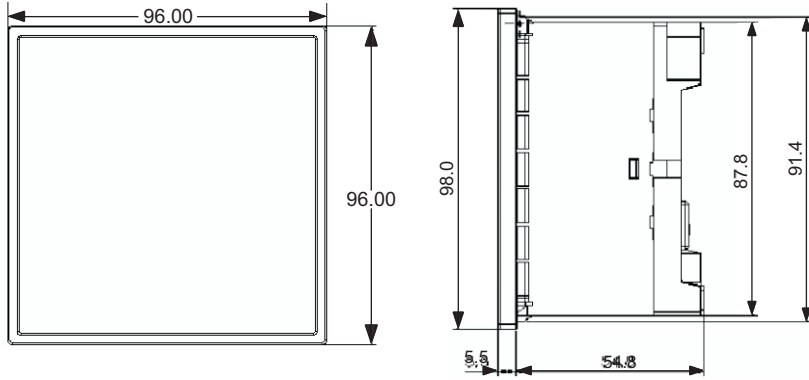


**RISHABH**  
**INSTRUMENTS**  
Measure, Control & Record with a Difference

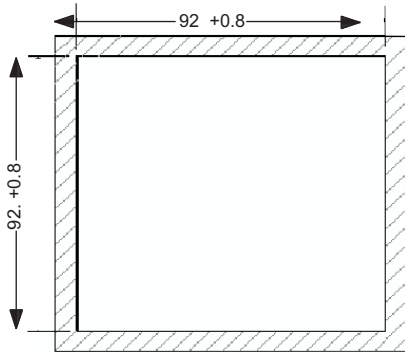
RISHABH INSTRUMENTS PVT.LTD.  
F-31, MIDC, Satpur, Nashik-422 007, India.  
Tel.: +91 253 2202160, 2202202 Fax : +91 253 2351064  
E-mail : India :- marketing@rishabh.co.in  
International :- exp.marketing@rishabh.co.in  
www.rishabh.co.in

# RISH DPM 196 A / V

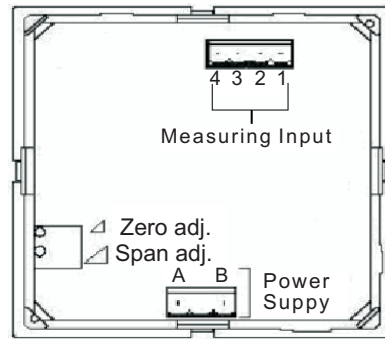
## Design & Installation



Installation Cut-out:



Connection Diagram:



## Decimal point Adjustment :

Decimal Point position is selectable by short links at the front side of Display

Short Link Position	Decimal point position on Display
	XXXX
	X.XXX
	XX.XX
	XXX.X

## Ordering Informations

### Order Details

	Example 1	Example 2
Type :	RISH DPM 196A	RISH DPM 196V
Measuring Input :	0 ... 1 A	0.....500 V
Input Frequency :	50Hz	50 Hz
Display Full-Scale	0 ... 1000	0.....500
Display caption	A	V
Aux. Supply :	230V AC, 50 HZ.	115 V AC, 50 Hz



Rishabh Instruments



RISHABH

**RISHABH  
INSTRUMENTS**

Measure, Control & Record with a Difference

RISHABH INSTRUMENTS PVT.LTD.

F-31, MIDC, Satpur, Nashik-422 007, India.

Tel.: +91 253 2202160, 2202202 Fax : +91 253 2351064

E-mail : India :- marketing@rishabh.co.in

International :- exp.marketing@rishabh.co.in

www.rishabh.co.in